

This Page Is Inserted by IFW Operations
and is not a part of the Official Record

BEST AVAILABLE IMAGES

Defective images within this document are accurate representations of the original documents submitted by the applicant.

Defects in the images may include (but are not limited to):

- BLACK BORDERS
- TEXT CUT OFF AT TOP, BOTTOM OR SIDES
- FADED TEXT
- ILLEGIBLE TEXT
- SKEWED/SLANTED IMAGES
- COLORED PHOTOS
- BLACK OR VERY BLACK AND WHITE DARK PHOTOS
- GRAY SCALE DOCUMENTS

IMAGES ARE BEST AVAILABLE COPY.

**As rescanning documents *will not* correct images,
please do not report the images to the
Image Problems Mailbox.**

PCT WORLD ORGANIZATION FOR INTELLECTUAL PROPERTY [LOGO]
International Office
INTERNATIONAL APPLICATION PUBLISHED IN ACCORDANCE WITH
THE INTERNATIONAL PATENT COOPERATION TREATY (PCT)

<p>(51) International patent classification⁶: C02F 3/08, 3/12</p>	<p>A2</p>	<p>(11) International publication number: WO 97/11033 (43) International publication date: March 27, 1997</p>
<p>(21) International application number: PCT/DE9601671</p> <p>(22) International application date: September 6, 1996</p> <p>(30) Priority data: 195 33 175.3 September 8, 1995 GERMANY</p> <p>(71) Applicant (for all designated countries except the US): NORDBETON GMBH [GERMANY/GERMANY]; Industriestrasse 2, D-26169 Friesoythe (GERMANY)</p> <p>(72) Inventors; and (75) Inventors/applicants (only for US): PLÖTNER, Karl [GERMANY/GERMANY]; An den Böcken 40, D-21266 Jesteburg (GERMANY); PLÖTNER, Jörg [GERMANY/GERMANY]; Spielleutestrassen 11, D-28717 Bremen (GERMANY)</p> <p>(74) Attorneys: JABBUSCH, Wolfgang, Koppelstrasse 3, D-26135 Oldenburg (GERMANY), etc.</p>	<p>(81) Designated countries: AU, BR, CA, HU, JP, MX, NO, NZ, PL, US, European patent (AT, BE, CH, DE, DK, ES, FI, FR, GB, GR, IE, IT, LU, MC, NL, PT, SE)</p> <p>Published <i>Without an international search report and is to be re-published after receipt of the Report</i></p>	
<p>(54) Title: SMALL SEWAGE TREATMENT PLANT FOR TREATING WASTE WATER, ESPECIALLY DOMESTIC WASTE WATER</p> <p>(57) Summary</p> <p>A small plant for the treatment of waste water, especially domestic waste water, has a mechanical treatment unit and is combined with a ventilated multi-chamber treatment unit providing a subsequent biological treatment for the mechanical pre-treated waste water. The multi-chamber unit has a ventilated intake chamber in which there is a shaft (10) running obliquely to the waste water level (9) in said chamber. To the shaft is fitted a plunger (16) partly immersed in the waste water and there is at least one tubular body (20, 20') running from the bottom to the top of the shaft having a lower intake aperture (26) and an upper discharge aperture (27) arranged coaxially and helically on the shaft, with the upper discharge aperture taken over on the upper edge of the intake chamber.</p>		

FOR INFORMATION ONLY

Codes for identifying PCT nations on the front covers of documents that publish international applications in accordance with the PCT.

AM	Armenia	GB	United Kingdom	MX	Mexico
AT	Austria	GE	Georgia	NE	Niger
AU	Australia	GN	Guinea	NL	The Netherlands
BB	Barbados	GR	Greece	NO	Norway
BE	Belgium	HU	Hungary	NZ	New Zealand
BF	Burkina Faso	IE	Ireland	PL	Poland
BG	Bulgaria	IT	Italy	PT	Portugal
BJ	Benin	JP	Japan	RO	Romania
BR	Brazil	KE	Kenya	RU	Russian Federation
BY	Belarus	KG	Kirgizistan	SD	Sudan
CA	Canada	KP	Peoples' Democratic Republic of Korea	SE	Sweden
CF	Central African Republic			SG	Singapore
CG	Congo	KR	Republic of Korea	SI	Slovenia
CH	Switzerland	KZ	Kazakhstan	SK	Slovakia
CI	Ivory Coast	LI	Liechtenstein	SN	Senegal
CM	Cameroon	LK	Sri Lanka	SZ	Swaziland
CN	China	LR	Liberia	TD	Chad
CS	Czechoslovakia	LT	Lithuania	TG	Togo
CZ	Czech Republic	LU	Luxembourg	TJ	Tadzhikistan
DE	Germany	LV	Latvia	TT	Trinidad and Tobago
DK	Denmark	MC	Monaco	UA	Ukraine
EE	Estonia	MD	Republic of Moldavia	UG	Uganda
ES	Spain	MG	Madagascar	US	United States of America
FI	Finland	ML	Mali	UZ	Uzbekistan
FR	France	MN	Mongolia	VN	Vietnam
GA	Gabon	MR	Mauritania		
		MW	Malawi		

Small sewage treatment plant for treating waste water, especially domestic waste water

The invention pertains to a small sewage treatment plant for treating waste water, especially domestic waste water, with a mechanically purifying sewage treatment device.

Small sewage treatment plants serve for the purification of domestic waste water that is generated in households that are not connected to a large sewage treatment plant or communal sewage treatment plant via a system of pipes. Such households are to be encountered, in particular, in rural regions in which the individual dwelling houses are often located at a great distance from the nearest communal sewage treatment plant. A mechanical sewage treatment device, which is usually a multi-chamber plant, is used on site in these cases in order to purify domestic waste water, whereby the incoming waste water is freed from solids and suspended matter in this multi-chamber plant. The waste water that has been purified in this way trickles into the subsoil, or is disposed of by leading it into natural water systems that are situated in the vicinity.

Such mechanical purification no longer satisfies current environmental standards. When draining off domestic waste water in the form of surface water, limiting values apply to many hazardous substances in the waste water in terms of their highest concentrations. The purification of waste water in mechanical sewage treatment devices does not take place to such an extent that the concentrations of the hazardous substances, which are present in the waste water, lie below these limiting values. Small mechanical sewage treatment devices that are in operation therefore have to be shut down, and the households have to be connected to a large or communal sewage treatment plant. However, because of the frequently great distances between the households and the large or communal sewage treatment plants, which are often operated in local communes, this connection procedure is associated with high financial strains for the households that are to be connected to them.

The problem that forms the basis of the invention is to indicate a small sewage treatment plant of the type that was designated at the beginning with which, in particular, domestic waste water is capable of being purified in accordance with environmental standards.

This problem is solved, in accordance with the invention, by means of an aerated multi-chamber sewage treatment unit that provides biological post-treatment for waste water that has been mechanically pre-purified. A small sewage treatment plant is formed, in accordance with the invention, by serially connecting a biologically purifying sewage treatment unit downstream, whereby waste water is capable of being purified in accordance with environmental standards in this small sewage treatment device.

A small sewage treatment unit, which operates effectively in a biological manner and which is serially arranged downstream of the mechanical sewage treatment device, whereby this sewage treatment unit is also relatively simply configured, excels by virtue of the feature that the multi-chamber sewage treatment unit has an aerated inlet chamber in which a shaft is arranged obliquely relative to the waste water level in the inlet chamber, and by the feature that an immersion element, which is partially immersed in the waste water, is attached to the shaft, and by the feature that at least one tubular element with a lower inlet opening and an upper outlet opening is provided that runs from the lower to the upper end of the shaft,

whereby the tubular element(s) is/are arranged coaxially and in a helical manner relative to the shaft, and whereby the upper outlet opening is arranged above the upper edge of the inlet chamber.

The small sewage treatment plant in accordance with the invention has a chamber, in the form of an inlet chamber, in which biological treatment can take the place of waste water that exits in the small mechanical sewage treatment plant. An immersion element is arranged in the inlet chamber, and microorganisms, e.g. bacteria, can form colonies on the immersion element. The microorganisms form a so-called biological mat that can adsorb not only contaminants and suspended matter but also substances that are dissolved in the waste water, and thus it effectively removes these substances from the waste water. As a result of arranging the immersion element on a rotating shaft, and as a result of merely partially immersing the immersion element in the waste water that is to be purified, the microorganisms, which are located on the individual sections of the immersion element, are alternately contacted by the waste water and also by the air that is present in the multi-chamber sewage treatment unit. Thus aeration, i.e. an adequate supply of oxygen for the microorganisms, is ensured in an advantageously simple manner. As a result of the continuous rotation of the shaft, the conditions pertaining to the oxygen supply above the level of the water and the conditions pertaining to its contacting the waste water, which is to be purified, follow on continuously from one another for each section of the immersion element. Thus effective degradation of the substances, which are present in the waste water, is possible on the one hand, and growth of the microorganisms, which are colonizing the immersion element, is ensured on the other hand. In overall terms, a small sewage treatment system is formed with which treatment of waste water is ensured such that this treatment is in accordance with environmental standards.

The tubular element, which is arranged coaxially and helically on the shaft, forms an archimedean screw. This archimedean screw is advantageously rotated simultaneously by the shaft that rotates the immersion element through the waste water. In this simple manner, the archimedean screw creates a pump along the longitudinal direction of the shaft, and the waste water can be pumped out of the inlet chamber of the lower inlet opening of the tubular element and up to the upper outlet opening. In this way, the waste water can be pumped out of the inlet chamber into e.g. additional chambers of the multi-chamber sewage treatment unit. Onward conveyance of the pumped waste water is ensured by the feature that the upper outlet opening of the tubular element is led over the upper edge of the inlet chamber.

In order to install the shaft, a spherical head is provided at its lower end, and this spherical head projects outward in the coaxial direction and is accommodated in a ball socket that is installed on a chamber wall. The lower bearing of the shaft is thus formed in a relatively free manner so that the shaft is installed in the ball socket, via its spherical head, in a manner that permits swiveling movements. Depending on the height of the water level, which is present in the inlet chamber of the multi-chamber small sewage treatment unit, different swiveling positions of the shaft can be set up e.g. by applying propulsive forces of different magnitude on the immersion element. The ball socket is provided with a circumferential groove and a drainage hole in order that abrasive particles in the waste water will not damage the bearing.

A drive motor is advantageously arranged above the upper region of the shaft, and the shaft is freely suspended, in the form of a bearing, in at least one drive belt that runs over the drive shaft of the drive motor. The upper bearing of the shaft is also relatively freely constructed if use is made of an elastic drive belt that becomes more or less extended depending on the magnitude of the propulsive forces. The shaft and the immersion element have a relatively large weight so that adhesional friction is produced between the shaft and the drive belt and the propulsive force from the drive motor is capable of being transferred to the shaft. In this regard, the axial inclination of the drive motor preferably runs parallel to the axial inclination of the drive shaft. Several drive belts, which are arranged parallel to one another, can be used in order to produce a greater adhesional frictional force in order to transfer the propulsive force and in order to ensure the operational safety of this shaft drive system.

The drive motor is preferably a geared electric motor with a fan. In order that the biological mat is not detached as a result of an excessively high speed of rotation of the immersion element during the movement

of the immersion element through the waste water, the speed of rotation of the shaft is relatively low, e.g. two revolutions per minute. The speed of rotation of the motor is converted to this low speed of rotation of the shaft via a gear system that is connected, in a compact manner, to the electric motor. An electric motor with an advantageously low power consumption, e.g. 60 watts, is adequate for producing the rotary movement of the shaft. In addition to cooling the electric motor, the fan also advantageously serves for circulating air into the region of the immersion element as a result of which oxygen is supplied to the biological mat on the immersion element.

In a preferred form of embodiment, the feature is provided that the shaft is constructed in the form of a tube, and that the tubular element is constructed in the form of a hose, and this is arranged in the interior of the tube, preferably running along the inner wall of the tube. As a result of the arrangement of the hose in the interior of the tube, the unit, which consists of the tube and the immersion element, is constructed in a compact manner. Naturally, a more or less flexible hose can also be replaced by an appropriately shaped pipe comprising a rigid or hard material. The tube has a relatively large diameter in order that the diameter of the hose, which is preferably arranged in a helical manner on the inner wall of the tube, should be sufficiently large that an adequate volume of waste water can be pumped via the hose. As a result of a relatively large diameter of the tube, the adhesional friction between the tube and the drive belt(s) is also increased since the contacting surface between these components is increased. An additional tube with a smaller diameter can be provided in the interior of the tube in order to guide the hose, so that the hose is arranged between the two tubes.

One possibility involves the situation in which two hoses are arranged in the interior of the tube, whereby the lower inlet openings of the hoses are located in different planes of the tube that are transverse relative to the length of the tube. The two hoses are arranged, in the form of a double helix, on the inner wall of the tube. An increase in the volume of waste water that is pumped per unit time can be achieved in a simple manner by increasing the number of hoses. The arrangement of the lower inlet openings in different planes hereby simultaneously permits the pumped volume to be changed in accordance with the height of the water level in the inlet chamber. In the case of a low water level, water is admitted into a hose only via the lower inlet opening of the lower inlet openings. In the case of this level of water, the top inlet opening of the lower inlet openings still rotates in the air above the level of the water. It is only in the case of a rising water level, e.g. in the case of admitting an extremely large quantity of waste water within an extremely period of short time, that the upper inlet opening of the lower inlet openings also becomes immersed in the waste water (at least at the lower vertex point of its circulating path), and can admit waste water into the other hose. Thus the volume of the waste water, which has been admitted to the hoses, increases in accordance with the extent of this rise in water level.

According to a further form of embodiment of the invention, the immersion element is constructed in such a way that it is cylindrical in shape, and scoop-like containers are arranged at its periphery, i.e. in the outer radial regions of the immersion element, and the inlet opening of a run-back channel, which leads into the mechanical sewage treatment device, is arranged below an upper vertex point of the peripheral path of the scoop-like containers about the axis of rotation of the immersion element, and thus at the highest rotary position of each scoop-like container. The outer radial regions at the periphery of the immersion element are immersed most deeply of all into the waste water. The scoop-like containers, which are arranged in these regions, can therefore raise sludge components, which have deposited in the lower region of the inlet chamber, above the water level during the rotation of the immersion element. The scoop-like containers, which are constructed in the form of beakers, are arranged in such an aligned manner on the immersion element that their scooped up contents fall out again when, during their rotation, they reach their highest position or pass through this highest region. As a result of arranging the inlet opening of the run-back channel below this rotation position, whereby this inlet opening points upward, the scooped up sludge components fall into the run-back channel, and are led back to the mechanical sewage treatment device. Thus the rotation of the shaft, which is constructed in the form of a tube, also gives rise to the possibility of limiting the accumulation of sludge in the inlet chamber. Since the axis of rotation of the cylindrical immersion element is preferably located on the axis of rotation of the tube, the highest rotation position

of each of the scoop-like containers, which are arranged at one height on the immersion element, are identical for the same radial distance of all the scoop-like containers from the axis of rotation of the tube, so that the sludge, which has been conveyed up high, can fall, in toto, into one run-back channel.

As a result of the immersion of the empty scoop-like containers in the waste water, and as a result of their movement in the direction of the sludge components, which have accumulated on the bottom of the inlet chamber, air will spend a certain amount of time beneath the immersion element. At an appropriate rotary position, the air exits the scoop-like containers and ascends to the surface, though this preferably takes place in such a way that it is led through the immersion element and therefore contributes additionally to the supply of oxygen to the extremely small organisms that are forming colonies on the immersion element. The steady run-back of sludge through the run-back channel and into the mechanical sewage treatment device also brings about the situation in which waste water constantly runs out of the mechanical sewage treatment device and into the multi-chamber sewage treatment unit, i.e. a circulation system is formed. This advantageously ensures e.g. a supply of waste water to the inlet chamber of the multi-chamber sewage treatment unit even in a period of absence of the operators of the sewage treatment plant, in accordance with the invention, in which no "fresh waste water" enters the small sewage treatment system that has been formed. As a result of this, the extremely small organisms, which are forming colonies on the immersion element, encounter sufficient nutrients in the waste water in the inlet chamber even during this period of time, and they do not die as a result of nutrient deficiency.

In order to stabilize the immersion element, the feature is provided in a further form of embodiment of the invention that the immersion element is enclosed by a cage-like frame comprising shaped metal components. The scoop-like containers are also capable of being attached to this frame in a simple manner. In addition, such a frame brings about torque transfer from the tube to the immersion element.

In accordance with the next further form of embodiment of the invention, the multi-chamber sewage treatment unit comprises two chambers, which are formed by one construction element, whereby these chambers are separated from one another by a partition wall that is preferably arranged asymmetrically, i.e. a partition wall that is arranged in an eccentric manner. The larger chamber serves as a working tank with a shaft and immersion element, and the smaller chamber serves as a secondary settling tank. The construction element is capable of being prefabricated, and its provision with the components of the multi-chamber sewage treatment unit can take place on a mass production basis in a work room so that the complete plant is capable of being supplied in the finished state. Installation at the assembly location comprises merely setting [the unit] down next to the mechanical sewage treatment device, which is already present, and connecting it thereto. The partition wall, which is arranged in the construction element, forms the two chambers. The asymmetrical or eccentric arrangement of the partition wall permits a relatively voluminous construction of the inlet chamber, which serves as a working tank, whereby a correspondingly larger immersion element can be arranged on the shaft in the inlet chamber. The prescribed secondary clarification of the biologically treated waste water takes place in the smaller secondary settling tank.

The height to which the partition wall is built is designed to be such that the water level in the secondary settling tank is approximately 1 cm below the upper edge of the partition wall. As a result of this, one simultaneously ensures that suspended sludge, which occurs in the secondary settling tank, can be pumped over the upper edge of the partition wall and back into the working tank.

In order that the waste water, which is pumped out of the working tank via the hoses in the interior of the tube, can enter the secondary settling tank for secondary clarification, its upper outlet openings are arranged above the upper edge of the partition wall. A shaped guidance element for the exiting waste water can be arranged on the upper edge of the partition wall below the outlet openings. The shaped guidance element advantageously brings about the collection and complete diversion of the waste water, which is exiting from the outlet openings, into the secondary settling tank.

For the further development of the multi-chamber sewage treatment unit in accordance with the invention,

whereby this is combined with a mechanical sewage treatment unit that is already in operation, the provision is made, finally, that the construction element comprises a spherical half-shell shaped lower part and a cone-shaped upper part that is placed thereon. The spherical half-shell shaped construction of the lower part has the advantage that sludge components can be deposited on the relevant chamber walls at the deepest location in each chamber in the working tank and also in the secondary settling tank. The sludge components are deposited at these deepest locations, and can be removed again from the two chambers by controlled intervention at these locations. Scoop-like containers are provided for this purpose in the working tank, and a conventional sludge pulp can be arranged in the secondary settling tank. The walls of the lower part are constructed without installation joints, and they are preferably elevated relatively far in the region of the inner water levels, and the cone shaped upper part, which is placed thereon, is constructed in a lid shaped fashion with low height. An access lid, which is integrated into the upper part, is arranged at approximately the height of the surface of the earth, and the upper edge of the lower part, which has been let into the earth, is arranged to be at a relatively low depth below the surface of the earth because of the low height of the upper part itself. Thus the multi-chamber sewage treatment unit in accordance with the invention can also be used, with advantage, in regions with a high groundwater level without running the risk of the groundwater running into the lower part. As a result of its arrangement at a low depth in the earth, the buoyancy forces of the groundwater, which could possibly act on the multi-chamber sewage treatment unit, are also low.

The lower part and the upper part of the construction element are preferably fabricated from steel-reinforced concrete. Concrete components have high strength, and are corrosion resistant and weather resistant, and are thus capable of being manufactured at low cost on a mass production basis.

An example of an embodiment of the invention, from which further inventive features will emerge, is illustrated in the drawings. The following aspects are shown:

Fig. 1 shows a lateral sectional view of an aerated multi-chamber sewage treatment unit for the biological treatment of waste water, with a lower part and an upper part, and

Fig. 2 shows a plan view of the multi-chamber sewage treatment unit in accordance with Fig. 1 in which the upper part has been removed.

The multi-chamber sewage treatment unit in Fig. 1 has a construction element that consists of the spherical half-shell shaped lower part 1, and the cone shaped upper part 2 that is placed on the lower part 1. A foot 3 is constructed, via a flat surface, in the region of the vertex of the spherical curvature of the lower part 1. The upper part 2 has an opening 4 in an upper flat surface, whereby this opening is covered by a horizontally arranged access lid 5. An air tube 6 is led through the upper part 2 and into the interior of the multi-chamber sewage treatment unit for aeration or, respectively, for supplying the air that serves for aeration, whereby this air tube ends above the earth's surface 7.

The interior of the lower part 1 is subdivided into two chambers by a vertically aligned partition wall 8. The chamber, which is located in front of the partition wall 8 in Fig. 1, is constructed in the form of a working tank 21 for the biological treatment of waste water. It is simultaneously the inlet chamber for the waste water which is to be treated by a mechanical sewage treatment device that is not illustrated further here.

A tube 10, which runs obliquely through the water level 9, is arranged in the inlet chamber. At its lower end, the tube 10 has a spherical head 11, which projects outward in the coaxial direction, whereby this spherical head is installed in a ball socket 12 that is attached to the wall of the lower part 1. The upper end of the tube 10 is freely suspended in two drive belts 13. The drive belts 13 are led over the drive shaft of a geared electric motor 14 that is arranged above the tube 10. The geared electric motor 14 is attached to the partition wall 8 via an adjustable boom 15. Its axial direction is parallel to the axial direction of the tube 10.

An immersion element 16, which is partially immersed in the water, is attached to the tube 10. The immersion element 16 is constructed so that it has a cylindrical shape, and its axis of rotation is simultaneously the axis of rotation of the tube 10, i.e. the two axes coincide. The immersion element 16 consists of a plastic grid that is supported, in a way that is not illustrated further, by a cage-like frame comprising shaped metal components. Scoop-like containers 17, 17' are arranged in the outer radial regions of the immersion element 16, namely in the terminal region thereof that faces the lower region of the tube 10. The scoop-like container 17' in Fig. 1 is located in an upper position. The inlet opening 18 of a run-back channel 19 is arranged in the region below this position, whereby the inlet opening points upward, and whereby the run-back channel leads back into the mechanical sewage treatment device.

Two hoses 20, 20', which run along the inner wall, are arranged in the interior of the tube 10. The hoses 20, 20' have lower inlet openings 26 and outlet openings 27 that are located above the partition wall 8. They are arranged in a coaxial and helical manner and form, in each case, an archimedean screw. The inlet opening 26 of the hose 20 is arranged below the inlet opening 26' of the hose 20'.

Fig. 2 shows that the partition wall 8 is arranged eccentrically. As a result of this, the working tank 21, in which the tube 10 and the immersion element 16 are arranged, is larger than the secondary settling tank 22. Feed inlets 23 lead into the working tank 21, whereby the waste water from a mechanical sewage treatment device is fed through these feed inlets. Fig. 2, likewise, shows that the upper outlet openings 27 of the hoses 20, 20' lead up and over the upper edge of the partition wall 8. The secondary settling tank 22 is equipped with a drain 24. A sludge pump 25 is arranged directly on the partition wall 8 in the secondary settling tank, and sludge, which is settling to the bottom of the secondary settling tank 22, can be pumped back into the mechanical sewage treatment device via this sludge pump. Fig. 1 shows that the sludge pump 25 is arranged at the deepest point in the secondary settling tank 22, namely the point at which the sludge components accumulate.

Rotation of the tube 10 is brought about by the geared electric motor 14, whereby force transfer takes place via the drive belt 13. The immersion element 16 is moved through the water during the rotation of the tube 10. Thus part of the immersion element 16 is always to be found beneath the water level 9, and another part always above the water level 9. As a result of this, the extremely small organisms, which are located on the immersion element 16, are brought alternately into contact with the waste water's charge of contaminants, which are capable of being degraded, and into contact with oxygen from the air for their aeration. The rotation of the tube 10 simultaneously brings about the conveyance of water out of the working tank 21 and into the secondary settling tank 22 via the hoses 20, 20'. Water, which has been biologically treated in the working tank 21 and which has been clarified in the secondary settling tank 22, leaves the multi-chamber sewage treatment unit via the drain 24.

Sludge components, which accumulate in the lower region of the working tank 21, are conveyed upward by the scoop-like beakers 17, 17', which are located on the immersion element 16, and these sludge components then fall, from their highest rotary position, into the inlet opening 18 of the run-back channel 19.

Patent Claims:

1. Small sewage treatment plant for treating waste water, especially domestic waste water, with a mechanically purifying sewage treatment device, characterized by an aerated multi-chamber sewage treatment unit that provides biological post-treatment for waste water that has been mechanically pre-purified.
2. Small sewage treatment plant in accordance with Claim 1, characterized by the feature that the multi-chamber sewage treatment unit has an aerated inlet chamber in which a shaft is arranged obliquely relative to the waste water level in the inlet chamber, and by the feature that an immersion element (16), which is partially immersed in the waste water, is attached to the shaft, and by the feature that at least one tubular element with a lower inlet opening (26) and an upper outlet opening (27) is provided that runs from the lower to the upper end of the shaft, whereby the tubular element(s) is/are arranged coaxially and in a helical manner relative to the shaft, and whereby the upper outlet opening (27) is arranged above the upper edge of the inlet chamber.
3. Small sewage treatment plant in accordance with Claim 2, characterized by the feature that, in order to install the shaft, a spherical head (11) is provided at its lower end, and that this spherical head projects outward in the coaxial direction and is accommodated in a ball socket (12) that is installed on a chamber wall.
4. Small sewage treatment plant in accordance with one of the Claims 1-3, characterized by the feature that a drive motor is arranged above the upper region of the shaft, and that the shaft is freely suspended, in the form of a bearing, in at least one drive belt (13) that runs over the drive shaft of the drive motor.
5. Small sewage treatment plant in accordance with Claim 4, characterized by the feature that the drive motor is a geared electric motor (14) with a fan.
6. Small sewage treatment plant in accordance with one of the preceding claims, characterized by the feature that the shaft is constructed in the form of a tube (10), and that the tubular element is constructed in the form of a hose, and that this is arranged in the interior of the tube (10), preferably running along the inner wall of the tube (10).
7. Small sewage treatment plant in accordance with Claim 6, characterized by the feature that two hoses (20, 20') are arranged in the interior of the tube (10), whereby the lower inlet openings (26) of the hoses are located in different planes of the tube that are transverse relative to the length of the tube.
8. Small sewage treatment plant in accordance with one of the preceding claims, characterized by the feature that the immersion element (16) is constructed in such a way that it is cylindrical in shape, and that scoop-like containers (17, 17') are arranged at the periphery of the immersion element (16), and that the inlet opening (18) of a run-back channel (19), which leads into the mechanical sewage treatment device, is arranged below an upper vertex point of the peripheral path of the scoop-like containers (17, 17') about the axis of rotation of the immersion element (16).
9. Small sewage treatment plant in accordance with one of the preceding claims, characterized by the feature that the immersion element (16) is enclosed by a cage-like frame comprising shaped metal components.
10. Small sewage treatment plant in accordance with one of the preceding claims, characterized by the feature that the multi-chamber sewage treatment unit comprises two chambers, which are formed by one construction element, whereby these chambers are separated from one another by a partition wall (8) that is preferably arranged asymmetrically, and by the feature that the larger of the two chambers,

which is formed as a result of asymmetry, serves as a working tank (21) with a shaft and immersion element (16), and that the smaller of the two chambers serves as a secondary settling tank (22).

11. Small sewage treatment plant in accordance with one of the Claims 1-10, characterized by the feature that the upper outlet openings (27) of the hoses (20, 20'), which are arranged in the interior of the tube (10), are arranged above the upper edge of the partition wall (8).
12. Small sewage treatment plant in accordance with Claim 11, characterized by the feature that a shaped guidance element is arranged on the upper edge of the partition wall (8) for the waste water that is exiting from the outlet openings (27).
13. Small sewage treatment plant in accordance with one of the Claims 10-12, characterized by the feature that the construction element consists of a spherical half-shell shaped lower part (1), and a cone shaped upper part (2) that is placed thereon.
14. Small sewage treatment plant in accordance with Claim 13, characterized by the feature that the lower part (1) and the upper part (2) of the construction element are fabricated from steel-reinforced concrete.

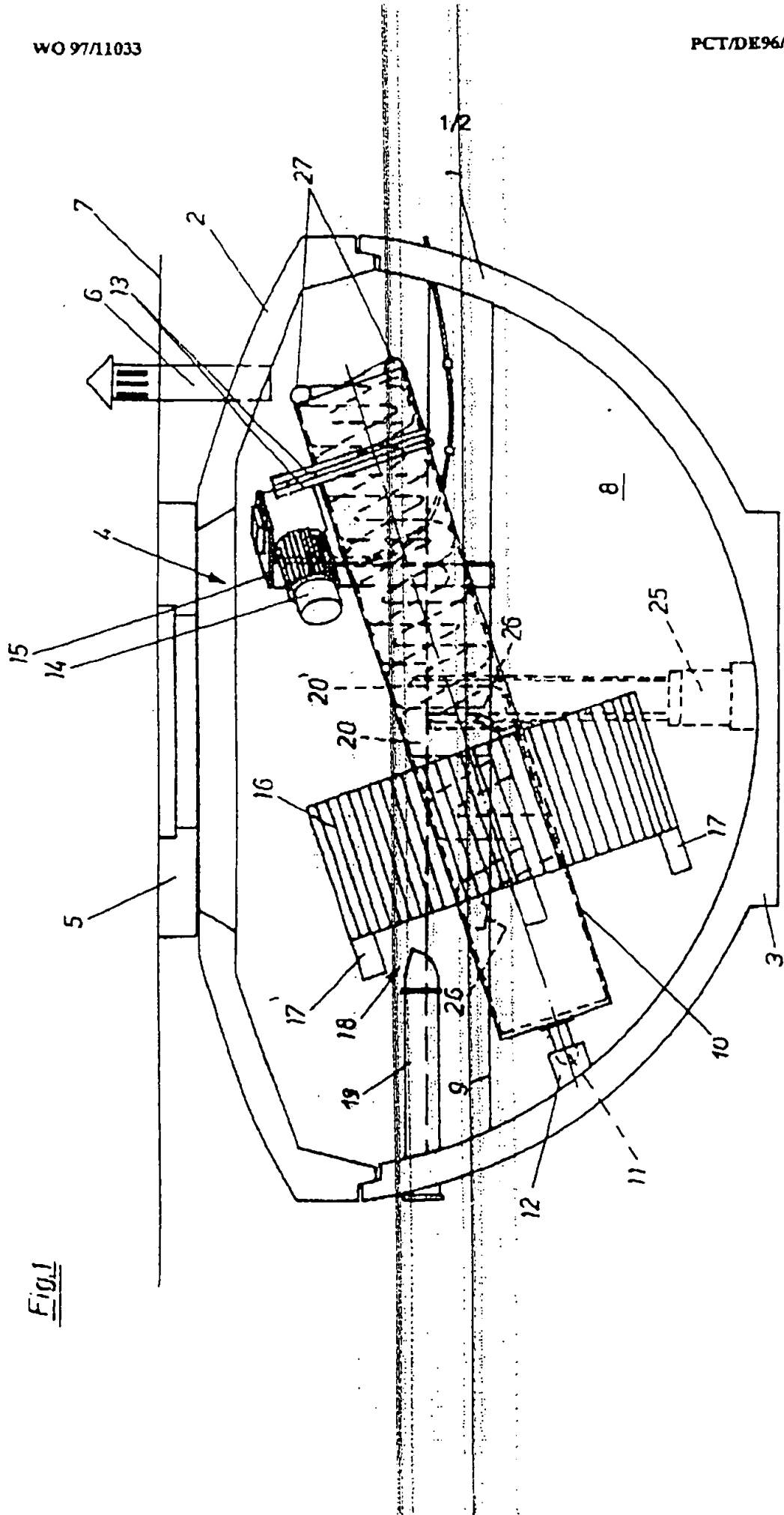


Fig. 1

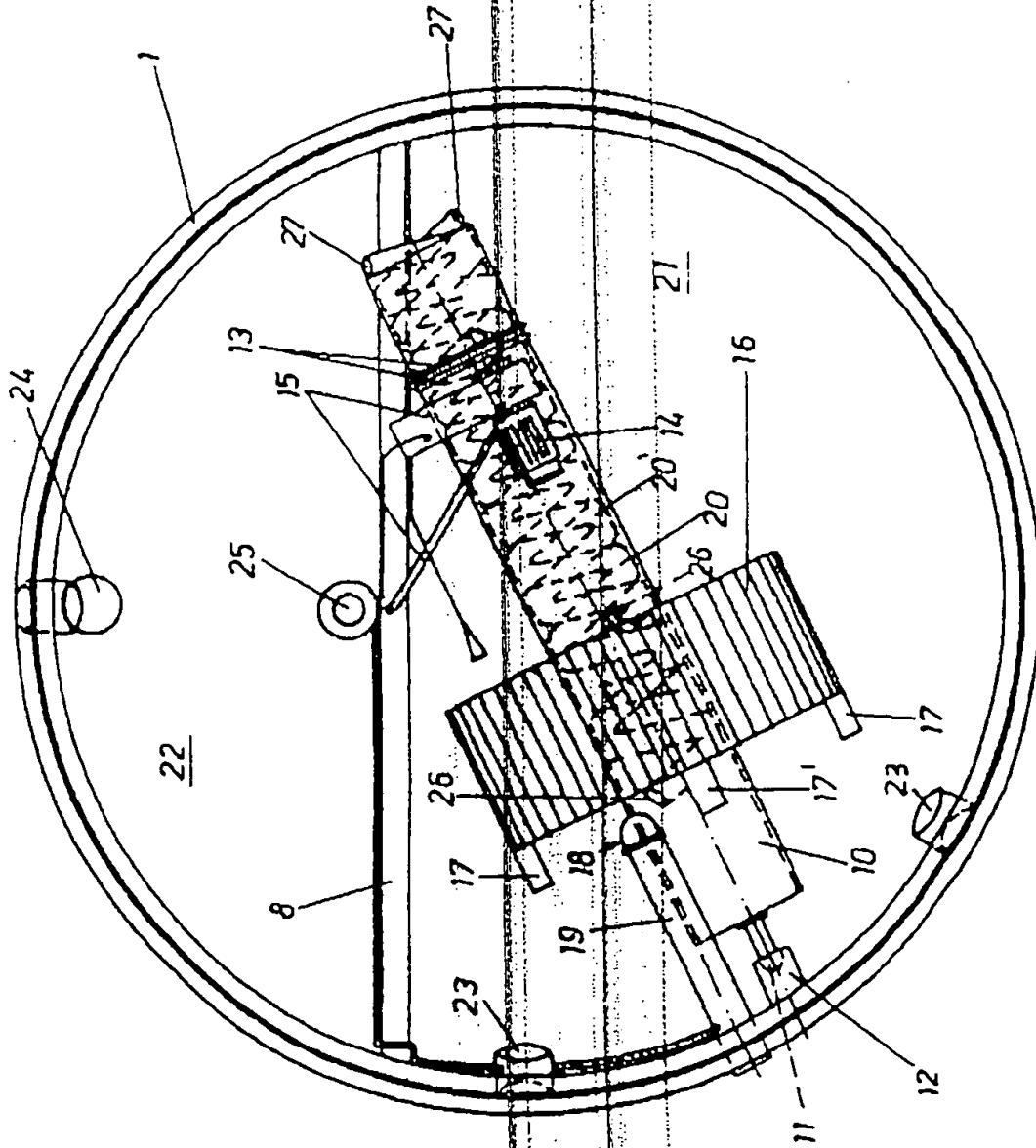


Fig 2

PCT WELTORGANISATION FÜR GEISTIGES EIENENTUM
Internationales Büro
**INTERNATIONALE ANMELDUNG VERÖFFENTLICHT NACH DEM VERTRAG ÜBER DIE
INTERNATIONALE ZUSAMMENARBEIT AUF DEM GEBIET DES PATENTWESENS (PCT)**

(51) Internationale Patentklassifikation ⁶ : C02F 3/08, 3/12	A2	(11) Internationale Veröffentlichungsnummer: WO 97/11033 (43) Internationales Veröffentlichungsdatum: 27. März 1997 (27.03.97)
<p>(21) Internationales Aktenzeichen: PCT/DE96/01671</p> <p>(22) Internationales Anmeldedatum: 6. September 1996 (06.09.96)</p> <p>(30) Prioritätsdaten: 195 33 175.3 8. September 1995 (08.09.95) DE</p> <p>(71) Anmelder (für alle Bestimmungsräume außer US): NORD-BETON GMBH (DE/DE); Industriestrasse 2, D-26169 Fricoythe (DE).</p> <p>(72) Erfinder; und</p> <p>(73) Erfinder/Anmelder (nur für US): PLÖTNER, Karl (DE/DE); An den Böcken 40, D-21266 Jasteburg (DE). PLÖTNER, Jörg (DE/DE); Spielkutschstrasse 11, D-28717 Brensca (DE).</p> <p>(74) Anwälte: JABBUSCH, Wolfgang; Koppelstrasse 1, D-26135 Oldenburg (DE) usw.</p>	<p>(51) Bestimmungsräume: AU, BR, CA, HU, JP, MX, NO, NZ, PL, US, europäisches Patent (AT, BE, CH, DE, DK, ES, FI, FR, GB, GR, IE, IT, LU, MC, NL, PT, SE).</p> <p>Veröffentlicht <i>Ohne internationalen Recherchenbericht und erneut zu veröffentlichen nach Erhalt des Berichts.</i></p>	

(54) Title: **SMALL PLANT FOR THE TREATMENT OF WASTE WATER, ESPECIALLY DOMESTIC WASTE WATER**

(54) Bezeichnung: **KLEINKLÄRANLAGE ZUR BEHANDLUNG VON ABWÄSSERN, INSBESONDERE HÄUSLICHEN ABWÄSSERN**

(57) Abstract

A small plant for the treatment of waste water, especially domestic waste water, has a mechanical treatment unit and is combined with a ventilated multi-chamber treatment unit providing a subsequent biological treatment for the mechanical pre-treated waste water. The multi-chamber unit has a ventilated intake chamber in which there is a shaft (10) running obliquely to the waste water level (9) in said chamber. To the shaft is fitted a plunger (16) partly immersed in the waste water and there is at least one tubular body (20, 20') running from the bottom to the top of the shaft having a lower intake aperture (26) and an upper discharge aperture (27) arranged coaxially and helically on the shaft, with the upper discharge aperture taken over the upper edge of the intake chamber.

(57) Zusammenfassung

Eine Kleinkläranlage zur Behandlung von Abwässern, insbesondere häuslichen Abwässern, weist eine mechanisch reinigende Kläreinrichtung auf und ist mit einer das mechanisch vorgeklärte Abwasser biologisch nachbehandelnden, belüfteten Mehrkammer-Klär-Einheit kombiniert. Die Mehrkammer-Klär-Einheit weist eine belüftete Eintrittskammer auf, in der eine schräg zum Abwasserspiegel (9) in der Eintrittskammer verlaufende Welle angeordnet ist. Auf der Welle (10) ist ein teilweise in das Abwasser eintauchender Tauchkörper (16) befestigt und, vom unteren zum oberen Ende der Welle verlaufend, ist wenigstens ein rohrförmiger Körper (20, 20') mit einer unteren Eintrittsöffnung (26) und mit einer oberen Austrittsöffnung (27) vorgesehen, der an der Welle konaxial und schraubenförmig angeordnet ist, wobei die obere Austrittsöffnung über den oberen Rand der Eintrittskammer geführt ist.

LEDIGLICH ZUR INFORMATION

Codes zur Identifizierung von PCT-Vertragstaaten auf den Kopfbögen der Schriften, die internationale Anmeldungen gemäss dem PCT veröffentlichtes.

AM	Argentinien	GB	Vereinigtes Königreich	MX	Mexiko
AT	Österreich	GE	Georgien	NE	Niger
AU	Australien	GN	Guinea	NL	Niederlande
BB	Barbados	GR	Griechenland	NO	Norwegen
BE	Belgien	HR	Ungarn	NZ	Neuseeland
BF	Burkina Faso	IE	Irland	PL	Polen
BG	Belgien	IT	Italien	PT	Portugal
BJ	Burkina Faso	JP	Japan	RO	Rumänien
BR	Braziliens	KZ	Kasachstan	KU	Rumänische Föderation
BY	Belarus	KG	Kirgisien	SD	Sudan
CA	Kanada	KP	Demokratische Volksrepublik Korea	SE	Schweden
CF	Zentralafrikanische Republik	KR	Republik Korea	SG	Singapur
CG	Kongo	KZ	Kasachstan	SI	Slowenien
CH	Schweiz	LI	Litauen	SK	Slowakei
CI	Côte d'Ivoire	LK	Sri Lanka	SN	Senegal
CM	Kamerun	LR	Liberia	SS	Südsudan
CN	China	LS	Lesotho	TD	Tschad
CS	Tschechoslowakei	LU	Luxemburg	TC	Togo
CZ	Tschechische Republik	LV	Lettland	TJ	Tadschikistan
DE	Deutschland	MC	Monaco	TT	Trinidad und Tobago
DK	Dänemark	MD	Republik Moldau	UA	Ukraine
EE	Estland	MG	Madagaskar	UG	Uganda
ES	Spanien	ML	Malawi	US	Vereinigte Staaten von Amerika
FI	Finnland	MN	Mongolei	UZ	Usbekistan
FR	Frankreich	MR	Mauritien	VN	Vietnam
GA	Gabun	MW	Malawi		

WO 97/11033

PCT/DE96/01671

Kleinkläranlage zur Behandlung von Abwässern, insbesondere häuslichen Abwässern

5 Die Erfindung betrifft eine Kleinkläranlage zur Behandlung von Abwässern, insbesondere häuslichen Abwässern, mit einer mechanisch reinigenden Kläreinrichtung.

Bei Haushalten, die nicht über eine Kanalisation an eine
10 Groß- oder Sammelkläranlage angeschlossen sind, dienen Kleinkläranlagen zur Reinigung der anfallenden häuslichen Abwässer. Derartige Haushalte sind insbesondere in ländlichen Gebieten anzutreffen, in denen die einzelnen Wohnhäuser oft weit von der nächsten Sammelkläranlage entfernt
15 sind. Zur Reinigung des häuslichen Abwassers wird dort eine vor Ort installierte mechanische Kläreinrichtung üblicherweise eine Mehrkammeranlage, verwendet, in der das einlaufende Abwasser von Sink- und Schwimmstoffen befreit wird. Das so gereinigte Abwasser sickert in den Untergrund
20 oder wird durch Einleitung in nahe gelegene Gewässer entsorgt.

Diese mechanische Reinigung genügt den heutigen Umweltnormen nicht mehr. Bei der Ableitung des häuslichen Ab-
25 wassers als Oberflächenwasser gelten für viele Schadstoffe im Abwasser Grenzwerte ihrer Höchstkonzentrationen. Die Reinigung des Abwassers erfolgt in den mechanischen Kläreinrichtungen nicht in dem Maße, daß die Konzentrationen der in dem Wasser vorhandenen Schadstoffe unterhalb dieser
30 Grenzwerte liegen. In Betrieb befindliche, mechanische

WO 97/11033

PCT/DE96/01671

- 2 -

Kleinkläreinrichtungen müssen daher stillgelegt werden und die Haushalte an eine Groß- oder Sammelkläranlage angeschlossen werden. Dieser Anschluß ist jedoch aufgrund der oftmals weiten Entfernungen zwischen den Haushalten und
5 der meist kommunal betriebenen Groß- oder Sammelkläranlage mit großen finanziellen Belastungen für die anzuschließenden Haushalte verbunden.

Der Erfindung liegt die Aufgabe zugrunde, eine Kleinkläranlage der eingangs genannten Gattung aufzuzeigen, mit der
10 insbesondere häusliches Abwasser den Umweltnormen entsprechend reinigbar ist.

Diese Aufgabe ist erfindungsgemäß gelöst durch eine das
15 mechanisch vorgereinigte Abwasser biologisch nachbehandelnde, belüftete Mehrkammer-Klär-Einheit. Durch die erfindungsgemäße Nachschaltung einer biologisch reinigenden Klär-Einheit ist eine Kleinkläranlage ausgebildet, mit der Abwasser den Umweltnormen entsprechend reinigbar
20 ist.

Eine wirkungsvoll biologisch arbeitende und dabei in konstruktiver Hinsicht noch relativ einfach gestaltete, der mechanischen Kläreinrichtung nachgeordnete Klär-Einheit zeichnet sich dadurch aus, daß die Mehrkammer-Klär-Einheit eine belüftete Eintrittskammer aufweist, in der eine schräg zum Abwasserspiegel in der Eintrittskammer verlaufende Welle angeordnet ist, daß auf der Welle ein teilweise in das Abwasser eintauchender Tauchkörper
30 befestigt ist und daß vom unteren zum oberen Ende der Welle verlaufend wenigstens ein rohrförmiger Körper mit einer unteren Eintrittsöffnung und mit einer oberen Austrittsöffnung vorgesehen ist, der an der Welle koaxial und schraubenförmig angeordnet ist, wobei die obere Aus-
35 trittsöffnung über den oberen Rand der Eintrittskammer geführt ist.

WO 97/11033

PCT/DE96/01671

- 3 -

Die erfindungsgemäße Kleinkläranlage weist mit der Eintrittskammer eine Kammer auf, in der eine biologische Behandlung des aus der mechanischen Kleinkläranlage austretenden Abwassers erfolgen kann. In der Eintrittskammer
5 ist ein Tauchkörper angeordnet, auf dem sich Mikro-Lebewesen, zum Beispiel Bakterien festsetzen können. Die Mikro-Lebewesen bilden einen sogenannten biologischen Rasen, der nicht nur Schmutz- und Schwebstoffe, sondern auch im Abwasser gelöste Stoffe adsorbieren kann und somit
10 diese Stoffe aus dem Abwasser wirkungsvoll entfernt. Durch die Anordnung des Tauchkörpers auf einer sich drehenden Welle und durch das ledigliche Teileintauchen des Tauchkörpers in das zu reinigende Abwasser werden die auf den einzelnen Abschnitten des Tauchkörpers befindlichen
15 Mikro-Lebewesen abwechselnd sowohl mit dem Abwasser als auch mit in der Mehrkammer-Klär-Einheit vorhandener Luft kontaktiert. Auf vorteilhaft einfache Weise ist somit eine Belüftung, das heißt, eine ausreichende Sauerstoffzufuhr für die Mikro-Lebewesen gewährleistet. Der Zustand der
20 Sauerstoffzufuhr oberhalb des Wasserspiegels und der Zustand der Kontaktierung mit dem zu reinigenden Abwasser folgen für jeden Abschnitt des Tauchkörpers kontinuierlich aufeinander durch die fortlaufende Drehung der Welle. Damit ist einerseits ein wirkungsvoller Abbau der in dem
25 Abwasser vorhandenen Stoffe möglich und andererseits ist das Wachstum der den Tauchkörper besiedelnden Mikro-Lebewesen gesichert. Insgesamt wird ein Kleinklärsystem ausgebildet, mit dem eine Behandlung des Abwassers, die den Umweltnormen entspricht, gewährleistet
30 ist.

Der an der Welle koaxial und schraubenförmig angeordnete rohrförmige Körper bildet eine archimedische Schraube. Diese archimedische Schraube wird vorteilhaft zugleich
35 durch die den Tauchkörper durch das Abwasser drehende Welle mitgedreht. Auf einfache Weise wird durch die archimedische Schraub entlang der Längserstreckung der

WO 97/11033

PCT/DE96/01671

- 4 -

Welle eine Pumpe geschaffen, mit der Abwasser aus der Eintrittskammer von der unteren Eintrittsöffnung des rohrförmigen Körpers bis zur oberen Austrittsöffnung gefördert werden kann. Das Abwasser kann auf diese Weise aus der
5 Eintrittskammer beispielsweise in weitere Kammern der Mehrkammer-Klär-Einheit gefördert werden. Die Weiterleitung des geförderten Abwassers ist dadurch gewährleistet, daß die obere Austrittsöffnung des rohrförmigen Körpers über den oberen Rand der Eintrittskammer geführt
10 ist.

Zur Lagerung der Welle ist an ihrem unteren Ende ein Kugelkopf vorgesehen, der in koaxialer Richtung vorsteht und in einer an einer Kammerwand befestigten Kugelpfanne
15 aufgenommen ist. Die untere Lagerung der Welle ist somit relativ frei ausgebildet, so daß die Welle mit ihrem Kugelkopf kippbeweglich in der Kugelpfanne gelagert ist. Verschiedene Kippositionen der Welle können sich beispielsweise durch verschieden große Auftriebskräfte auf
20 den Tauchkörper in Abhängigkeit von der Höhe des in der Eintrittskammer der Mehrkammer-Kleinkläranlage vorhandenen Wasserspiegels einstellen. Die Kugelpfanne ist mit einer umlaufenden Nut sowie einem Abflußloch versehen, damit schmirgelnde Partikel des Abwassers nicht das Lager
25 beschädigen.

Über dem oberen Bereich der Welle ist mit Vorteil ein Antriebsmotor angeordnet und ist die Welle zu ihrer Lagerung in wenigstens einem über die Antriebswelle des
30 Antriebsmotors laufenden Antriebsriemen frei abgehängt. Auch die obere Lagerung der Welle ist relativ frei ausgebildet, wenn ein elastischer Antriebsriemen verwendet wird, der sich je nach Größe der Auftriebskräfte mehr oder weniger dehnt. Die Welle und der Tauchkörper weisen ein
35 relativ großes Gewicht auf, so daß zwischen der Welle und dem Antriebsriemen eine Haftreibung entsteht und die Antriebskraft von dem Antriebsmotor auf die Welle übertrag-

WO 97/11033

PCT/DE96/01671

- 5 -

bar ist. Die Achsneigung des Antriebsmotors verläuft dabei vorzugsweise parallel zur Achsneigung der Antriebswelle. Es können mehrere, parallel zueinander angeordnete Antriebsriemen verwendet werden, um einen größeren Kraft-
5 schluß zur Übertragung der Antriebskraft zu erzeugen und um die Betriebssicherheit dieses Wellenantriebes zu gewährleisten.

Der Antriebsmotor ist vorzugsweise ein Elektro-Getriebemo-
10 tor mit einem Ventilator. Damit sich der biologische Rasen während der Bewegung des Tauchkörpers durch das Abwasser nicht aufgrund einer zu hohen Drehgeschwindigkeit des Tauchkörpers ablöst, ist die Drehzahl der Welle relativ gering, beispielsweise zwei Umdrehungen pro Minute. Mit
15 einem mit dem Elektromotor in kompakter Weise verbundenen Getriebe wird die Drehzahl des Motors auf diese geringe Wellendrehzahl umgesetzt. Ein Elektromotor mit einer vorteilhaft niedrigen Leistungsaufnahme, beispielsweise 60 Watt, ist zur Erzeugung der Drehbewegung der Welle aus-
20 reichend. Der Ventilator dient neben der Kühlung des Elektromotors in vorteilhafter Weise auch zur Luftumwälzung im Bereich des Tauchkörpers, wodurch dem biologischen Rasen auf dem Tauchkörper Sauerstoff zugeführt wird.

25

Bei einer bevorzugten Ausgestaltung ist vorgesehen, daß die Welle als Rohr ausgebildet ist und daß der rohrförmige Körper als Schlauch ausgebildet ist und im Inneren des Rohres, vorzugsweise an der Innenwand des Rohres
30 verlaufend, angeordnet ist. Durch die Anordnung des Schlauches im Inneren des Rohres ist die aus dem Rohr und aus dem Tauchkörper bestehenden Einheit kompakt ausgebildet. Selbstverständlich kann ein mehr oder weniger flexibler Schlauch auch durch eine entsprechend geformte
35 Röhre aus starrem beziehungsweise härterem Werkstoff ersetzt werden. Das Rohr weist einen relativ großen Durchmesser auf, damit auch der Durchmesser des

WO 97/11033

PCT/DE96/01671

- 6 -

vorzugsweise an der Innenwand des Rohres schraubenförmig angeordneten Schlauches so groß ist, daß mit dem Schlauch ein ausreichendes Volumen an Abwasser gefördert werden kann. Durch einen relativ großen Durchmesser des Rohres
5 wird auch die Haftreibung zwischen dem Rohr und dem beziehungsweise den Antriebsriemen erhöht, da sich die Kontaktfläche zwischen diesen Bauteilen erhöht. Zur Führung des Schlauches kann im Inneren des Rohres ein weiteres Rohr mit geringerem Durchmesser vorgesehen sein,
10 so daß der Schlauch zwischen beiden Rohren angeordnet ist.

Eine Möglichkeit sieht vor, daß im Inneren des Rohres zwei Schläuche angeordnet sind, deren untere Eintrittsöffnungen in bezogen auf die Länge des Rohres verschiedenen
15 Rohr-Quer-Ebenen liegen. Die beiden Schläuche sind als Doppelschraube an der Innenwand des Rohres angeordnet. Mit der Erhöhung der Schlauchanzahl ist auf einfache Weise eine Erhöhung des pro Zeiteinheit geförderten Volumens an Abwasser erreichbar. Die Anordnung der unteren Eintritts-
20 öffnungen in verschiedenen Ebenen ermöglicht dabei zugleich eine Veränderbarkeit des geförderten Volumens in Abhängigkeit von der Höhe des Wasserspiegels in der Eintrittskammer. Bei niedrigem Wasserspiegel wird nur durch die untergelegene der unteren Eintrittsöffnungen Wasser in
25 einen Schlauch eingeleitet. Die obengelegene untere Eintrittsöffnung dreht sich bei diesem Wasserspiegel noch in der Luft oberhalb des Wasserspiegels. Erst bei steigendem Wasserspiegel, beispielsweise bei der Einleitung einer größeren Abwassermenge in kürzester Zeit,
30 taucht auch die obengelegene untere Eintrittsöffnung zumindest im unteren Scheitelpunkt ihrer Umlaufbahn in das Abwasser ein und kann Abwasser in den anderen Schlauch einleiten. Je nach Ausmaß des Anstieges des Wasserspiegels erhöht sich somit das Volumen des in die Schläuche eingeleiteten Abwassers.
35

Gemäß einer Weiterbildung der Erfindung ist der

WO 97/11033

PCT/DE96/01671

- 7 -

Tauchkörper zylindrisch ausgebildet, sind an der Peripherie, also in äußeren radialen Bereichen des Tauchkörpers Schöpfbehälter angeordnet und ist unterhalb eines oberen Scheitelpunktes einer Umlaufbahn der Schöpfbehälter

5 um die Drehachse des Tauchkörpers, und somit in der höchsten Dreh-Position jedes Schöpfbehälters, die Eintrittsöffnung eines in die mechanische Kläreinrichtung führenden Rücklaufkanals angeordnet. Die äußeren radialen Bereiche an der Peripherie des Tauchkörpers tauchen am

10 tiefsten in das Abwasser ein. Die in diesen Bereichen angeordneten Schöpfbehälter können daher während der Umdrehung des Tauchkörpers Schlammbestandteile, die sich im unteren Bereich der Eintrittskammer abgesetzt haben über den Wasserspiegel heben. Die als Becher ausgebildeten

15 Schöpfbehälter sind so an dem Tauchkörper ausgerichtet angeordnet, daß ihr geschöpfter Inhalt herausfällt, wenn sie während des Umlaufes ihre höchste Position erreicht haben, beziehungsweise diesen höchsten Bereich durchlaufen. Durch die Anordnung der nach oben gerichteten

20 Eintrittsöffnung des Rücklaufkanals unterhalb dieser Dreh-Position fallen die geschöpften Schlammbestandteile in den Rücklaufkanal und werden zur mechanischen Kläreinrichtung zurückgeleitet. Die Drehung der als Rohr ausgebildeten Welle bewirkt somit auch eine Möglichkeit zur Begrenzung

25 der Schlammansammlung in der Eintrittskammer. Da die Rotationsachse des zylindrischen Tauchkörpers vorzugsweise auf der Drehachse des Rohres liegt, ist, bei gleichem radialen Abstand aller Schöpfbehälter zur Drehachse des Rohres, die höchste Dreh-Position jedes der auf einer Höhe am Tauch-

30 körper angeordneten Schöpfbehälters identisch, so daß der hochbeförderte Schlamm in insgesamt einen Rücklaufkanal fallen kann.

Durch das Eintauchen der leeren Schöpfbehälter in das

35 Abwasser und durch ihre Bewegung in Richtung der am Boden der Eintrittskammer angesammelten Schlammbestandteile wird Luft unterhalb des Tauchkörpers verbracht. In entspre-

WO 97/11033

PCT/DE96/01671

- 8 -

chender Drehstellung tritt die Luft aus den Schöpfbehältern aus und steigt an die Oberfläche auf, jedoch vorzugsweise in der Weise, daß sie durch den Tauchkörper geführt wird und somit zusätzlich zur Sauerstoffversorgung der auf dem Tauchkörper siedelnden Kleinstlebewesen beiträgt. Der ständige Rücklauf des Schlammes durch den Rücklaufkanal in die mechanische Kläreinrichtung bewirkt zudem, daß aus der mechanischen Kläreinrichtung ständig Abwasser in die Mehrkammer-Klär-Einheit einläuft, also ein Kreislauf ausgebildet wird. Das gewährleistet vorteilhaft zum Beispiel auch in einer Zeit der Abwesenheit der Betreiber der erfindungsgemäßen Kleinkläranlage, in der kein "frisches Abwasser" in das gebildete Kleinklärsystem eintritt, eine Zuführung von Abwasser in die Eintrittskammer der Mehrkammer-Klär-Einheit. Die auf dem Tauchkörper siedelnden Kleinstlebewesen finden dadurch in dem Abwasser in der Eintrittskammer auch in dieser Zeit genügend Nährstoffe und sterben nicht aufgrund von Nahrungsmangel ab.

20

Zur Stabilisierung des Tauchkörpers ist nach einer Weiterbildung der Erfindung vorgesehen, daß der Tauchkörper durch ein käfigartiges Gestell aus Metallprofilen eingefast ist. An diesem Gestell sind auch die Schöpfbehälter auf einfache Weise sicher befestigbar. Zudem bewirkt ein derartiges Gestell eine Übertragung des Drehmomentes von dem Rohr auf den Tauchkörper.

Genäß einer nächsten Weiterbildung der Erfindung umfaßt die Mehrkammer-Klär-Einheit zwei durch einen Baukörper gebildete Kammern, die durch eine vorzugsweise asymmetrisch, das heißt außermittig angeordnete Trennwand voneinander getrennt sind. Die größere Kammer dient als Arbeitsbecken mit Welle und Tauchkörper und die kleinere Kammer dient als Nachklärbecken. Der Baukörper ist vorfertigbar, und seine Ausrüstung mit den Bauteilen der Mehrkammer-Klär-Einheit kann in einer Werkhalle in Serie

WO 97/11033

PCT/DE96/01671

- 9 -

erfolgen, so daß die komplette Anlage fertig auslieferbar ist. Die Installation am Aufbauort umfaßt lediglich das Absetzen neben der bereits vorhandenen, mechanischen Kläreinrichtung und das Anschließen an diese. Die in dem
5 Baukörper angeordnete Trennwand bildet die beiden Kammern aus. Die asymmetrisch beziehungsweise außermittige Anordnung der Trennwand ermöglicht eine relativ voluminöse Ausbildung der als Arbeitsbecken dienenden Eintrittskammer, in der auf der Welle dann ein entsprechend großer
10 Tauchkörper angeordnet werden kann. Die vorgeschriebene Nachklärung des biologisch behandelten Wassers erfolgt in dem kleineren Nachklärbecken.

Die Bauhöhe der Trennwand ist so bemessen, daß der Wasserspiegel im Nachklärbecken ca. 1 cm unterhalb des oberen
15 Randes der Trennwand steht. Dadurch ist gleichzeitig gewährleistet, daß im Nachklärbecken auftretender Schwamm über den oberen Rand der Trennwand zurück in das Arbeitsbecken gefördert werden kann.

20 Damit das mit den Schläuchen im Inneren des Rohres geförderte Abwasser aus dem Arbeitsbecken zur Nachklärung in das Nachklärbecken eintreten kann, sind ihre oberen Austrittsöffnungen über den oberen Rand der Trennwand
25 geführt. Unterhalb der Austrittsöffnungen kann auf dem oberen Rand der Trennwand ein Leitprofil für das austretende Abwasser angeordnet sein. Das Leitprofil bewirkt vorteilhaft ein Auffangen und die vollständige Ableitung des aus den Austrittsöffnungen austretenden Abwassers in
30 das Nachklärbecken.

Zur weiteren Ausbildung der erfindungsgemäß mit einer bereits in Betrieb befindlichen mechanischen Kläreinrichtung kombinierten Mehrkammer-Klär-Einheit ist
35 schließlich vorgesehen, daß der Baukörper aus einem kugelhalschalenförmigen Unterteil und inem darauf aufgelegten, konusförmigen Oberteil zusammengesetzt ist. Die

WO 97/1033

PCT/DE96/01671

- 10 -

kugelhalbschalenförmige Ausbildung des Unterteils hat den Vorteil, daß sowohl im Arbeitsbecken als auch im Nachklärbecken die Schlammbestandteile an den jeweiligen Kammerwänden zu der tiefsten Stelle in jeder Kammer absinken können. An diesen tiefsten Stellen setzen sich die Schlammbestandteile ab und können durch gezielten Zugriff auf diese Stellen aus beiden Kammern wieder abgeführt werden. Im Arbeitsbecken sind dazu die Schöpfbehälter vorgesehen, im Nachklärbecken kann eine konventionelle Schlammpumpe angeordnet werden. Die Wände des Unterteils sind ohne Montagefugen im Bereich der inneren Wasserstände vorzugsweise relativ weit hochgezogen und das aufgesetzte konusförmige Oberteil ist deckelförmig mit einer geringen Höhe ausgebildet. Ein in das Oberteil integrierter Einstiegsdeckel ist etwa auf der Höhe der Erdoberfläche angeordnet, und durch die geringe Höhe des Oberteils selbst ist der obere Rand des in das Erdreich eingelassenen Unterteils in relativ geringer Tiefe unter der Erdoberfläche angeordnet. Die erfindungsgemäße Mehrkammer-Klär-Einheit kann somit vorteilhaft auch in Gebieten mit einem hohen Grundwasserspiegel eingesetzt werden, ohne daß die Gefahr besteht, daß Grundwasser in das Unterteil einläuft. Durch ihre Anordnung in geringer Bodentiefe sind außerdem die möglicherweise an der Mehrkammer-Klär-Einheit angreifenden Auftriebskräfte des Grundwassers gering.

Das Unterteil und das Oberteil des Baukörpers sind vorzugsweise aus Stahl-Beton gefertigt. Betonteile weisen eine hohe Festigkeit auf, sind korrosions- und witterungsbeständig und sind mit geringem Aufwand in Serie herzustellen.

Ein Ausführungsbeispiel der Erfindung, aus dem sich weitere erfinderische Merkmale ergeben, ist in der Zeichnung dargestellt. Es zeigen:

WO 97/1033

PCT/DE96/01671

- 11 -

Fig. 1 eine seitliche Schnittansicht einer belüfteten Mehrkammer-Klär-Einheit zur biologischen Behandlung von Abwasser mit einem Unterteil und einem Oberteil und

5

Fig. 2 eine Draufsicht der Mehrkammer-Klär-Einheit gemäß Fig. 1, bei der das Oberteil entfernt ist.

10

Die Mehrkammer-Klär-Einheit in Fig. 1 hat einen Baukörper, der aus dem kugelhalbschalenförmigen Unterteil 1 und dem konusförmigen, auf das Unterteil 1 gesetzten Oberteil 2 besteht. Im Bereich des Scheitels der Kugel-Wölbung des Unterteils 1 ist durch eine ebene Fläche ein Fuß 3 ausgebildet. Das Oberteil 2 weist in einer obenliegenden, ebenen Fläche eine Öffnung 4 auf, welche mit einem horizontal angeordneten Eintrittsdeckel 5 bedeckt ist. Zur Belüftung, beziehungsweise einer der Belüftung dienenden Luftzuführung in das Innere der Mehrkammer-Klär-Einheit, ist durch das Oberteil 2 ein Luftrohr 6 geführt, das oberhalb der Erdoberfläche 7 endet.

Der Innenraum des Unterteils 1 ist durch eine vertikal ausgerichtete Trennwand 8 in zwei Kammern aufgeteilt. Die in Fig. 1 vor der Trennwand 8 liegende Kammer ist als Arbeitsbecken 21 zur biologischen Behandlung von Abwasser ausgebildet. Zugleich ist sie die Eintrittskammer für das von einer hier nicht weiter dargestellten mechanischen Kläreinrichtung zugeführte zu behandelnde Abwasser.

In der Eintrittskammer ist ein schräg durch den Wasserspiegel 9 verlaufendes Rohr 10 angeordnet. An seinem unteren Ende weist das Rohr 10 einen in koaxialer Richtung vorstehenden Kugelpopf 11 auf, der in einer an der Wand des Unterteils 1 befestigten Kugelpfanne 12 gelagert ist. Das oberliegende Ende des Rohres 10 ist in zwei An-

WO 97/11633

PCT/DE96/01671

- 12 -

triebsriemen 13 frei abgehängt. Die Antriebsriemen 13 sind über die Antriebswelle eines oberhalb des Rohres 10 angeordneten Elektro-Getriebemotors 14 geführt. Der Elektro-Getriebemotor 14 ist mit einem justierbaren Galgen 15 an der Trennwand 8 befestigt. Seine Achsrichtung ist der Achsrichtung des Rohres 10 parallel.

Auf dem Rohr 10 ist ein teilweise in das Wasser eintauchender Tauchkörper 16 befestigt. Der Tauchkörper 16 ist zylindrisch ausgebildet, seine Rotationsachse ist zugleich die Drehachse des Rohres 10, das heißt beide Achsen fallen zusammen. Der Tauchkörper 16 besteht aus einem Kunststoffgitter, das in nicht weiter dargestellter Weise von einem käfigartigen Gestell aus Metallprofilen getragen ist. In äußeren radialen Bereichen des Tauchkörpers 16 sind in seinem dem unteren Bereich des Rohres 10 zugekehrten Endbereich Schöpfbehälter 17, 17' angeordnet. Der Schöpfbehälter 17' in Fig. 1 befindet sich in einer oberen Position. Im Bereich unterhalb dieser Position ist die nach oben gerichtete Eintrittsöffnung 18 eines Rücklaufkanals 19 angeordnet, der zurück in die mechanische Kläreinrichtung führt.

Im Innern des Rohres 10 sind zwei Schläuche 20, 20' an der Innenwand verlaufend angeordnet. Die Schläuche 20, 20' weisen untenliegende Eintrittsöffnungen 26 und oberhalb der Trennwand 8 liegende Austrittsöffnungen 27 auf. Sie sind koaxial und schraubenförmig angeordnet und bilden jeweils eine archimedische Schraube aus. Die Eintrittsöffnung 26 des Schlauches 20 ist unterhalb der Eintrittsöffnung 26' des Schlauches 20' angeordnet.

Fig. 2 zeigt, daß die Trennwand 8 außermittig angeordnet ist. Das Arbeitsbecken 21, in dem das Rohr 10 und der Tauchkörper 16 angeordnet sind, ist dadurch größer als ein Nachklärbecken 22. In das Arbeitsbecken 21 führen Zuläufe 23, durch die das Abwasser aus einer mechanischen Klar-

WO 97/11033

PCT/DE96/01671

- 13 -

einrichtung zugeführt wird. Fig. 2 zeigt gleichfalls, daß die obenliegenden Austrittsöffnungen 27 der Schläuche 20,20' bis über den oberen Rand der Trennwand 8 geführt sind. Das Nachklärbecken 22 ist mit einem Auslauf 24 ausgerüstet. Im Nachklärbecken 22 ist unmittelbar an der Trennwand 8 eine Schlammpumpe 25 angeordnet, mit der im Nachklärbecken 22 zu Boden sinkender Schlamm in die mechanische Kläreinrichtung zurückgepumpt werden kann. Fig. 1 zeigt, daß die Schlammpumpe 25 am tiefsten Punkt des Nachklärbeckens 22 angeordnet ist, an dem sich die Schlammbestandteile ansammeln.

Durch den Elektro-Getriebemotor 14 wird eine Drehung des Rohres 10 bewirkt, wobei die Kraftübertragung über die Antriebsriemen 13 erfolgt. Während der Drehung des Rohres 10 wird der Tauchkörper 16 durch das Wasser bewegt. Ein Teil des Tauchkörpers 16 ist somit immer unterhalb des Wasserspiegels 9 befindlich und ein anderer Teil oberhalb des Wasserspiegels 9. Dadurch werden die auf dem Tauchkörper 16 sitzenden Kleintlebewesen abwechselnd mit der abbaubaren Schmutzfracht des Abwassers und mit dem Sauerstoff der Luft zu deren Belüftung in Berührung gebracht. Die Drehung des Rohres 10 bewirkt gleichzeitig, daß über die Schläuche 20,20' Wasser aus dem Arbeitsbecken 21 in das Nachklärbecken 22 gefördert wird. Über den Auslauf 24 verläßt im Arbeitsbecken 21 biologisch behandeltes und im Nachklärbecken 22 geklärtes Wasser die Mehrkammer-Klär-Einheit.

Sich im unteren Bereich des Arbeitsbeckens 21 ansammelnde Schlammbestandteile werden durch die am Tauchkörper 16 befindlichen Schöpfbecher 17,17' aufwärts gefördert und fallen aus der höchsten Dreh-Position in die Eintrittsöffnung 18 des Rücklaufkanals 18.

WO 97/11033

PCT/DE96/01671

- 14 -

Patentansprüche:

1. Kleinkläranlage zur Behandlung von Abwassern, insbesondere häuslichen Abwassern, mit einer mechanisch reinigenden
5 Kläreinrichtung
gekennzeichnet durch
eine das mechanisch vorgereinigte Abwasser biologisch,
nachbehandelnde, belüftete Mehrkammer-Klär-Einheit.
- 10 2. Kleinkläranlage nach Anspruch 1, dadurch gekennzeichnet,
daß die Mehrkammer-Klär-Einheit eine belüftete Ein-
trittskammer aufweist, in der eine schräg zum Abwasser-
spiegel in der Eintrittskammer verlaufende Welle ange-
ordnet ist, daß auf der Welle ein teilweise in das Ab-
15 wasser eintauchender Tauchkörper (16) befestigt ist und
daß vom unteren zum oberen Ende der Welle verlaufend
wenigstens ein rohrförmiger Körper mit einer unteren
Eintrittsöffnung (26) und mit einer oberen Aus-
trittsöffnung (27) vorgesehen ist, der an der Welle
20 koaxial und schraubenförmig angeordnet ist, wobei die
obere Austrittsöffnung (27) über den oberen Rand der
Eintrittskammer geführt ist.
3. Kleinkläranlage nach Anspruch 2, dadurch gekennzeichnet,
25 daß zur Lagerung der Welle an ihrem unteren Ende ein
Kugelkopf (11) vorgesehen ist, der in koaxialer Richtung
vorsteht und in einer an einer Kammerwand befestigten Ku-
gelpfanne (12) aufgenommen ist.
- 30 4. Kleinkläranlage nach einem der Ansprüche 1 - 3, dadurch
gekennzeichnet, daß über dem oberen Bereich der Welle ein
Antriebsmotor angeordnet ist und daß die Welle zu ihrer
Lagerung in wenigstens einem über die Antriebssstelle des
Antriebsmotors laufenden Betriebsriemen (13) frei ab-
35 gehängt ist.

WO 97/11033

PCT/DE96/01671

- 15 -

5. Kleinkläranlage nach Anspruch 4, dadurch gekennzeichnet, daß der Antriebsmotor ein Elektro-Getriebemotor (14) mit einem Ventilator ist.
- 5 6. Kleinkläranlage nach einem der vorhergehenden Ansprüche, dadurch gekennzeichnet, daß die Welle als Rohr (10) ausgebildet ist und daß der rohrförmige Körper als Schlauch ausgebildet ist und im Inneren des Rohres (10), vorzugsweise an der Innenwand des Rohres (10) verlaufend, angeordnet ist.
- 10
7. Kleinkläranlage nach Anspruch 6, dadurch gekennzeichnet, daß im Inneren des Rohres (10) zwei Schläuche (20,20') angeordnet sind, deren untere Eintrittsöffnungen (26) in bezogen auf die Länge des Rohres, verschiedenen Rohr-Quer-Ebenen liegen.
- 15
8. Kleinkläranlage nach einem der vorhergehenden Ansprüche, dadurch gekennzeichnet, daß der Tauchkörper (16) zylindrisch ausgebildet ist, daß an der Peripherie des Tauchkörpers (16) Schöpfbehälter (17,17') angeordnet sind und daß unterhalb eines oberen Scheitelpunktes einer Umlaufbahn der Schöpfbehälter (17,17') um die Drehachse des Tauchkörpers (16) die Eintrittsöffnung (18) eines in die mechanische Kläreinrichtung führenden Rücklaufkanals (19) angeordnet ist.
- 20
- 25
9. Kleinkläranlage nach einem der vorhergehenden Ansprüche, dadurch gekennzeichnet, daß der Tauchkörper (16) durch ein käfigartiges Gestell aus Metallprofilen eingefast ist.
- 30
10. Kleinkläranlage nach einem der vorhergehenden Ansprüche, dadurch gekennzeichnet, daß die Mehrkammer-Klär-Einheit zwei durch einen Baukörper gebildete Kammern umfaßt, die durch ein vorzugsweise asymmetrisch angeordnete Trennwand (8) von inander getrennt sind und daß die durch die Asymmetrie gebildete größere Kammer der beiden Kammern als
- 35

WO 97/11033

PCT/DE96/01671

- 16 -

Arbeitsbecken (21) mit Welle und Tauchkörper (16) und die kleinere Kammer der beiden Kammern als Nachklärbecken (22) dient.

- 5 11. Kleinkläranlage nach einem der Ansprüche 1 - 10, dadurch gekennzeichnet, daß die oberen Austrittsöffnungen (27) der im Inneren des Rohres (10) angeordneten Schläuche (20, 20') über den oberen Rand der Trennwand (8) geführt sind.
- 10 12. Kleinkläranlage nach Anspruch 1, dadurch gekennzeichnet, daß am oberen Rand der Trennwand (8) ein Leitprofil für das an den Austrittsöffnungen (27) austretende Abwasser angeordnet ist.
- 15 13. Kleinkläranlage nach einem der Ansprüche 10 - 12, dadurch gekennzeichnet, daß der Baukörper aus einem kugelhalbschalenförmigen Unterteil (1) und einem darauf aufgelegten, konusförmigen Oberteil (2) zusammengesetzt ist.
- 20 14. Kleinkläranlage nach Anspruch 13, dadurch gekennzeichnet, daß das Unterteil (1) und das Oberteil (2) des Baukörpers aus Stahl-Beton gefertigt sind.

WO 97/11033

PCT/DE96/01671

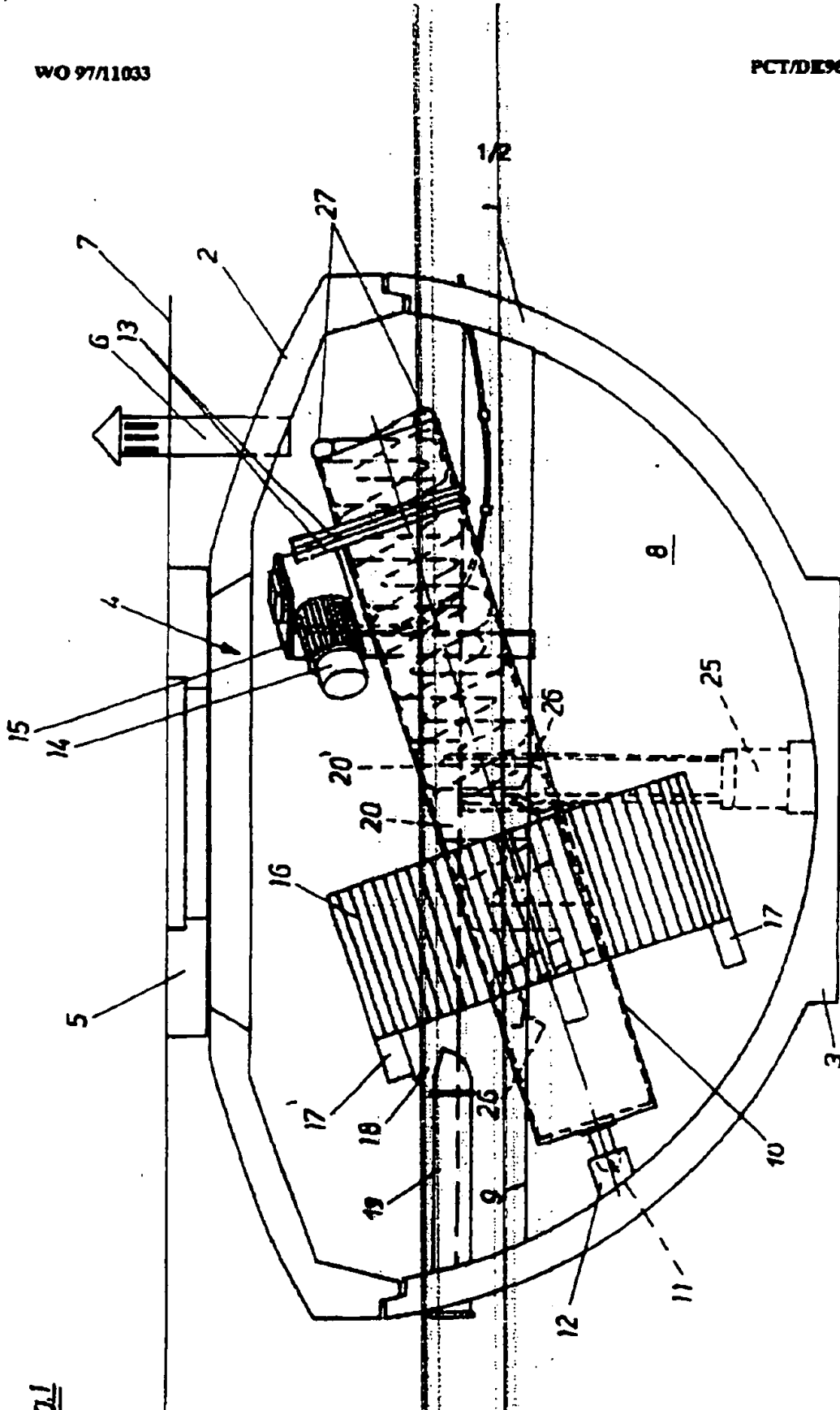
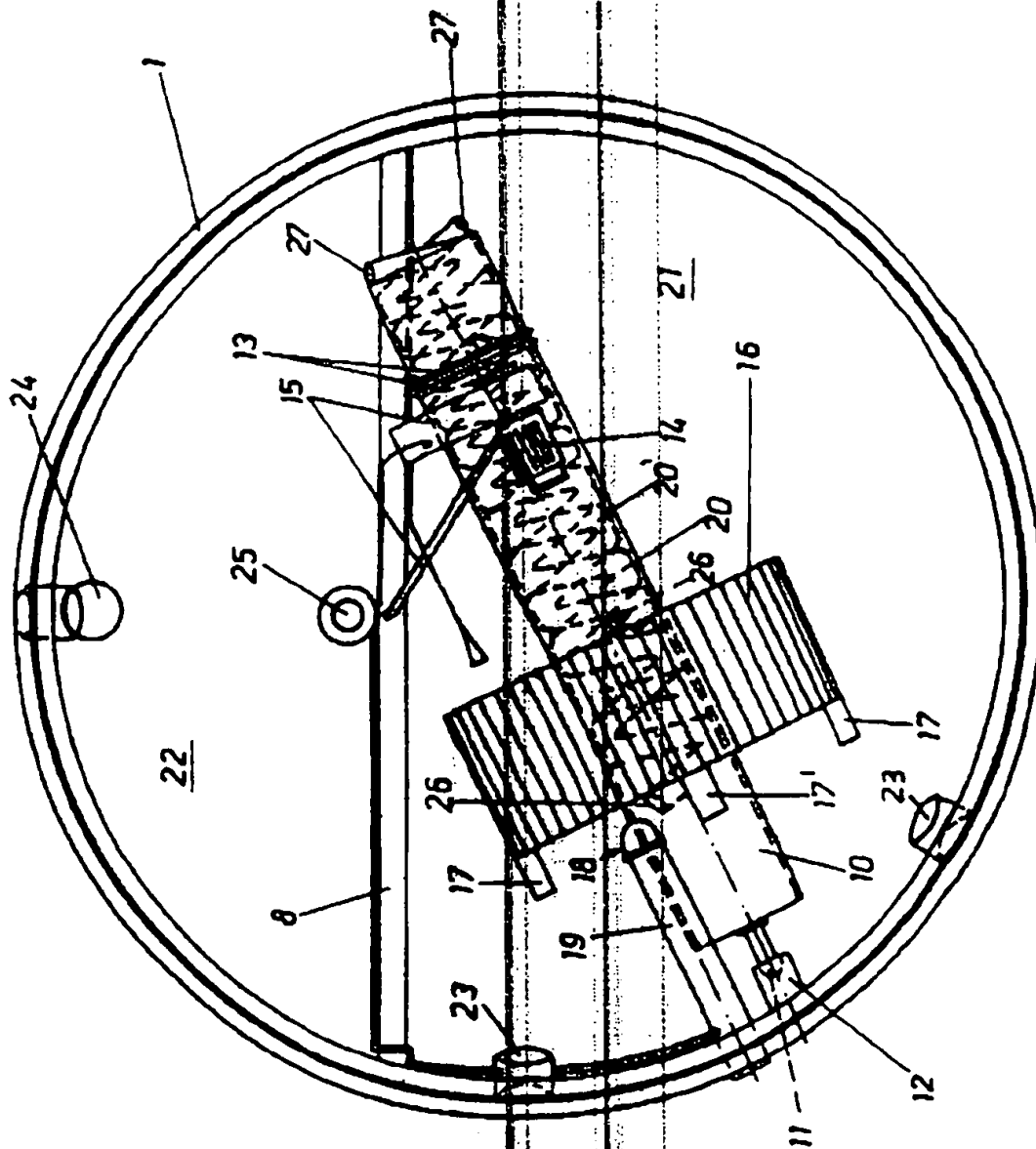


Fig. 1

WO 97/11033

PCT/DE96/01671



2/2

Fig. 2

④ 日本国特許庁 (J P)
④ 公開特許公報 (A)

④ 特許出願公開
昭62-36304

⑥ Int. Cl.⁴
A 61 K 7/00

識別記号 庁内整理番号
7308-4C

④ 公開 昭和62年(1987)2月17日

審査請求 未請求 発明の数 1 (全7頁)

⑥ 発明の名称 化粧料

④ 特 願 昭60-122134

④ 出 願 昭60(1985)6月5日

④ 発 明 者 水 牧 勝 美 練ヶ谷市東練ヶ谷2-6-5
④ 出 願 人 株式会社 柏化学工業 東京都中央区日本橋小塚町8番4号

明 細 書

発明の名称 化粧料

特許請求の範囲

化粧料成分と、特許成分として豆乳が配合されており、かつ豆乳中の固形分に対し2%以上の界面活性剤が配合されていることを特徴とする化粧料。

発明の詳細な説明

(発明上の利用分野)

本発明は豆乳が配合された化粧料に関するものである。

大豆はマメ科の植物グイズGlycine max. HERRILLの種子である。純植物性タンパク質としての重要であり、またその加工品である(とうふ)豆乳は栄養的効果のある食品であることは万人の認めるところである。

本発明者は大豆が食品としてのみならず、外用としても美容に關し効果の効能のあることを実験的に見出した。ところでこれを含有する製品を調

製化するに當り、そのエキスは水抽出で以って乳液状としたいわゆる「豆乳」であることから、豆乳を原料として用いる化粧品を提供するものであって、化粧品業界・理美容業界に広く利用し得る。(従来の技術)

本発明は、大豆の種子を水浸して膨潤後研砕し、水を加えて加熱し、不溶残渣を濾別して得た乳液「豆乳」を対象とする。一般に豆乳はPH7.0~7.5で固形分約3%を含有し、白色~帯黄白色の乳液状であり、蒸留水を加えて加熱すると蛋白がゲル化したペース状のいわゆる豆腐を析出する性質がある。豆乳はタンパク質3~5%、脂質3~5%を含有する。このタンパクはアミノ酸バランスに優れリシンが高く、脂肪分はリノール酸含有が高い。その他サポニン、リン脂質、ビタミンE等成分に關する物質が多く含まれ化粧料として効果があるであろうと推察されるにかかわらず、外用に用いたとの報告はない。僅に類似する例として、小豆含有サポニン効果を得たシャンプー、黒色の色素を用いた脱毛剤、液状抽出した